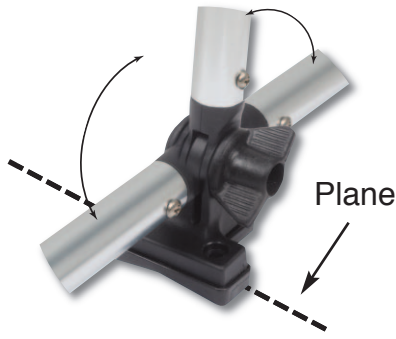


Fold Down Pole Light Mounting Base Options

2
Navigation Lights

Horizontal Mount Bases

Folds down 90° in either direction **opposite** the plane of attachment plate of the mount



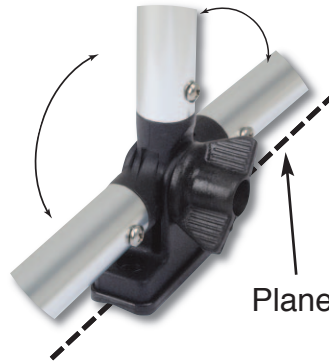
Standard Duty



Heavy Duty

Vertical Mount Bases

Folds down 90° in either direction **along** the plane of attachment plate of the mount



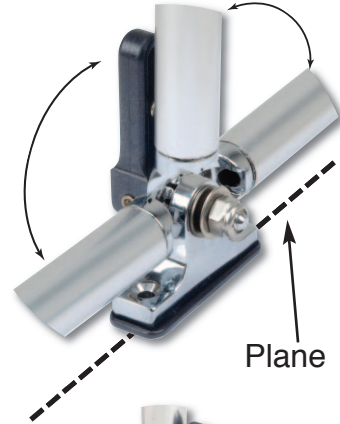
Standard Duty



Heavy Duty

Vertical Mount Base with Quick Adjust Handle

Folds down 90° in either direction **along** the plane of attachment plate of the mount



Heavy Duty

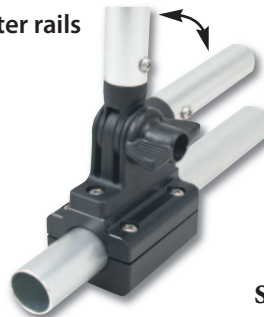
Rail Mount Bases for Vertical Mount Folding Lights

Unique polymer block allows for easy mounting on 3/4" diameter rails

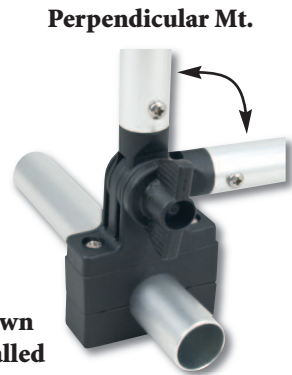
- Material: Polymer
- Finish: Black
- Mounting Hdwe: 6 screws included (4 clamping, 2 mounting)
- Fits: 3/4" diameter rails*

Features:

Both bases fit: Perko Fig. Nos. 1137, 1138, 1184, 1284, 1637, 1638, 1639, & 1642 Folding Mount lights



In-Line or Axial Mt.



Perpendicular Mt.

Shown Installed



Fig. 1627



Fig. 1628

Rail Mount	Base Dimensions	OEM Bulk Pkg.
In-Line	2-3/8" x 1-3/4" x 1-3/8"	1627000BLK
Perpendicular	2-5/16" x 3/4" x 1-1/4"	1628000BLK

* Other rail tubing diameters available by special order.
Note: Pole light and folding base not included.