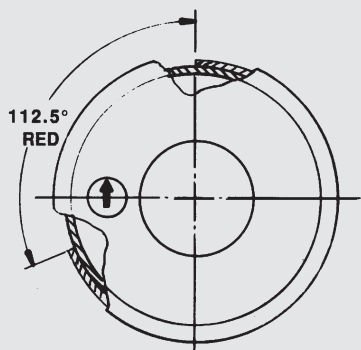




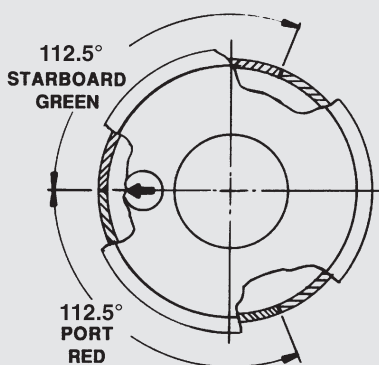
**Figs. 0200 & 0210 Series Base Mount Navigation Lights Technical Information**

Certified For Use on Sail or Power Driven Vessels Under 20 Meters (65.6 ft.) in Length

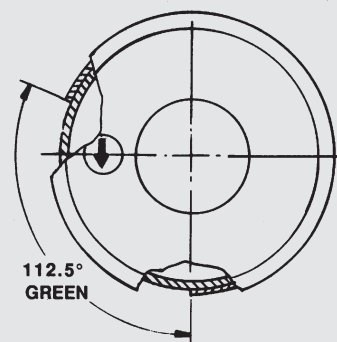
See Page C-12 For 0210 Series L.E.D. Style Lights and Page C-27 for 0200 Series Incandescent Lights.



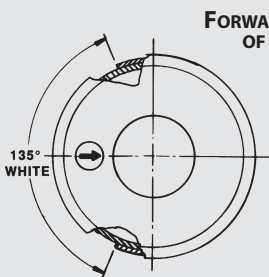
**BASE MOUNT  
PORT SIDE LIGHT**



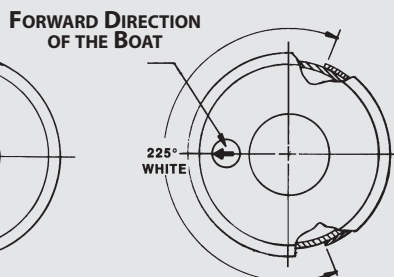
**0200 SERIES ONLY BASE MOUNT  
BI-COLOR LIGHT**



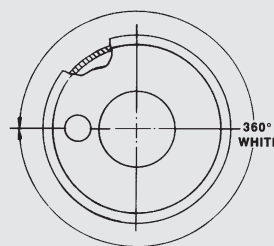
**BASE MOUNT  
STARBOARD SIDE LIGHT**



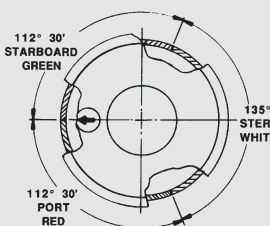
**BASE MOUNT  
STERN LIGHT**



**BASE MOUNT  
MASTHEAD LIGHT**

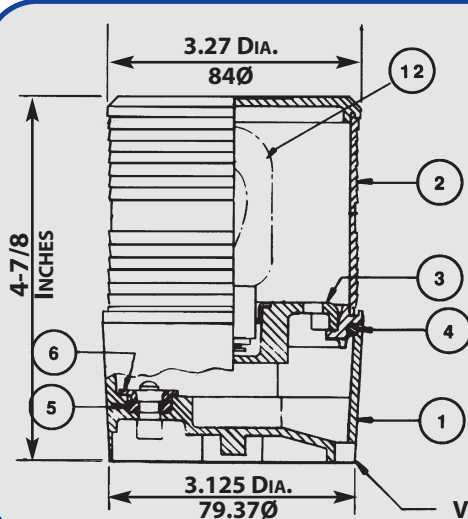


**BASE MOUNT  
ALL-ROUND LIGHTS**

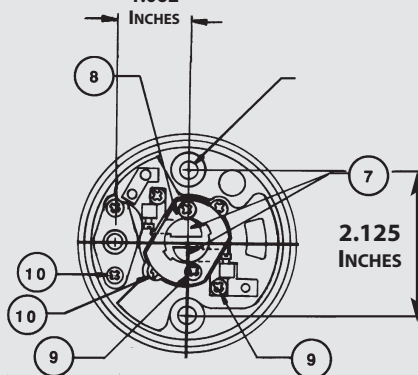


**0200 SERIES ONLY  
BASE MOUNT  
TRI-COLOR LIGHT**

Note: Fig. 0210 L.E.D. lights have no user serviceable parts



**0200 SERIES BASE MOUNT**



**SPARE PARTS ORDERING INFORMATION**

- 1) Base Molding
  - 2) Lens Assembly
  - 3) Bulb Holder
  - 4) O-Ring
  - 5) Gland
  - 6) Clamp
  - 7) Contact Assembly Bulb
  - 8) Bulb Support Plate
  - 9) Screws - #4 x 1/4" P.H.
  - 10) Screws - #6 x 1/2" P.H.
  - 12) Spare Bulbs
- For Masthead, Bi-Color, Tri-Color, All-Round & Side Lights  
 12 Volt: 037512V25W  
 24 Volt: 037524V25W  
 32 Volt: 037532V25W
- For White All-Round, Towing & Stern Lights  
 12 Volt: 037512V10W  
 24 Volt: 037524V10W  
 32 Volt: 037532V10W

Spare Lens Assembly Part Numbers are Determined by Replacing the Last Three Digits of the Catalog Number with the Letters "LNS" (e.g., 0200BB0LNS, for a Bi-Color Base Mount Lens Assembly).  
 Spare Replacement Bulb Socket: 0093

See Page C-35 for Bulb Information.